



# Junior European Judo Cup Paks 2015

Paks (HUN) 11-12 July 2015

## -63 kg

21 Judoka

POOL A

1	PIOVESANA, Lubjana	GBR	1	PIOVESANA, Lubjana
17			17	
9	THEODORAKIS, Eleftheria	AUT	2	
25	HORVATH, Dorottya	HUN	2	
5	SIMEOLI, Nadia	ITA	3	SIMEOLI, Nadia
21			18	
13	WYKUPIL, Marta	POL	4	WYKUPIL, Marta
29			4	

Pool A - Winner  
Vainqueur / Sieger

POOL B

3	MILIC, Mirjana	MNE	5	MILIC, Mirjana
19			19	
11	MUSTEA, Margarita	MDA	6	
27	CSERVENAK, Anna	HUN	6	
7	BURT, Emily	CAN	7	BURT, Emily
23			20	
15	HILDBRAND, Carina	SUI	8	
31	GRUENAUER, Nadine	GER	8	

Pool B - Winner  
Vainqueur / Sieger

POOL C

2	KOVAC, Buga	CRO	9	KOVAC, Buga
18			21	
10	LECHNER, Susanne	AUT	10	
26	GHANDOUR, Nathaly	GER	10	
6	SIMAO, Jaquina	CAN	11	SIMAO, Jaquina
22			22	
14	KENYERES, Anna	HUN	12	KENYERES, Anna
30			12	

Pool C - Winner  
Vainqueur / Sieger

POOL D

4	VAN DEN BERG, Geke	NED	13	VAN DEN BERG, Geke
20			23	
12			14	GRUENEWALD, Sarah
28	GRUENEWALD, Sarah	GER	14	
8	TINTOR, Tea	SRB	15	TINTOR, Tea
24			24	
16	POLYAK, Krisztina	HUN	16	
32	CACCHIONE, Chiara	ITA	16	

Pool D - Winner  
Vainqueur / Sieger

1.

Results  
Résultat / Platzierungen

- 1.
- 2.
- 3.
- 3.
- 5.
- 7.
- 7.

Repechage / Trostrunde

[A1]					
[A2]		29		33	
[B1]			[A3]		
[B2]		30		34	
[B3]			[B3]		
[C1]				[38]	
[C2]		31		35	
[D1]			[C3]		
[D2]		32		40	
[D3]			[D3]		
				[37]	

3.

3.

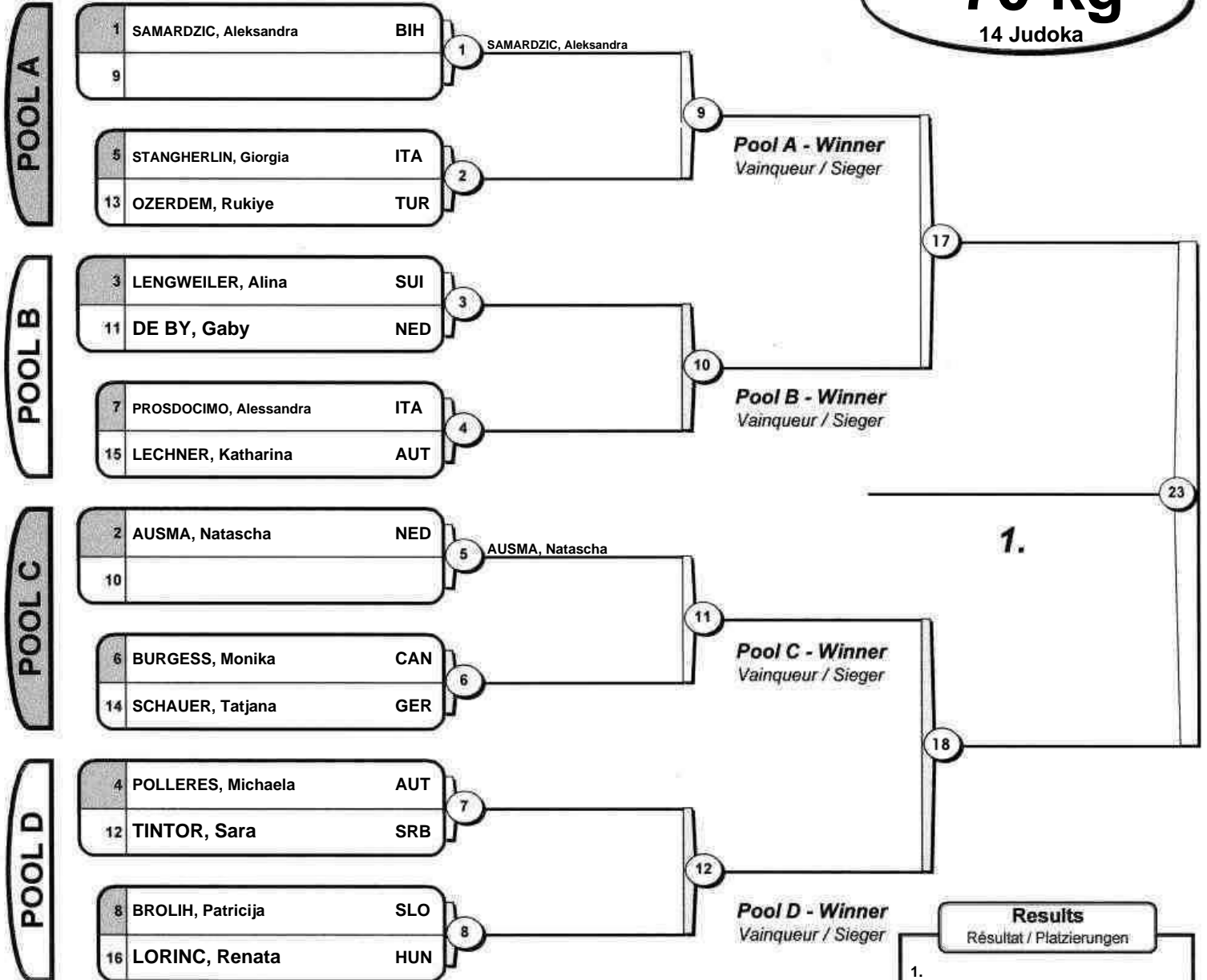


# Junior European Judo Cup Paks 2015

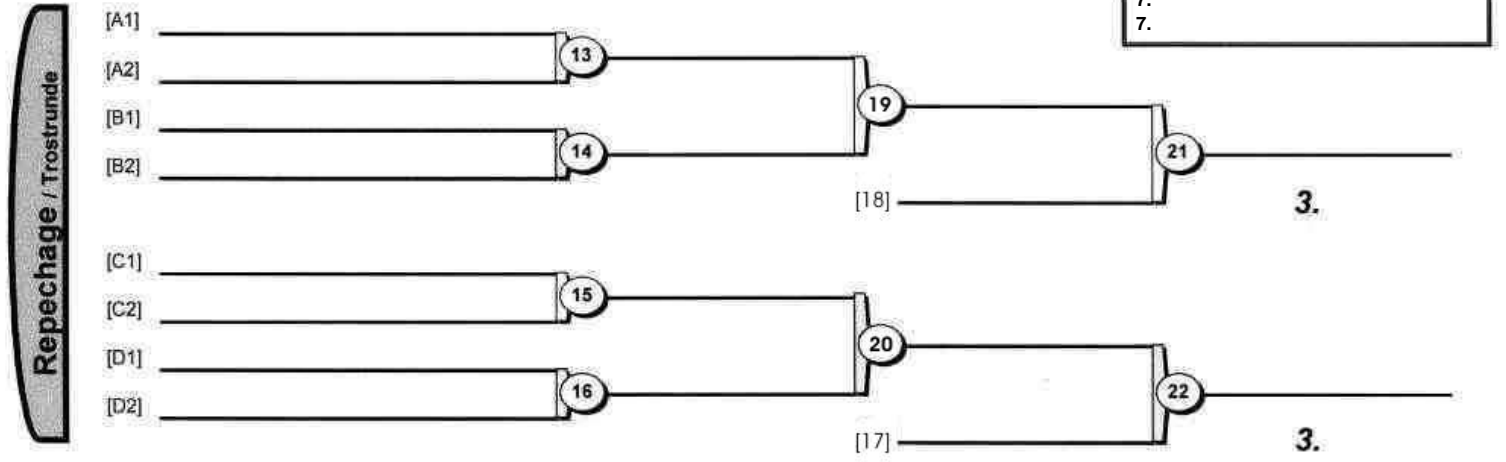
Paks (HUN) 11-12 July 2015

## -70 kg

14 Judoka



Results	
Résultat / Platzierungen	
1.	
2.	
3.	
3.	
5.	
5.	
7.	
7.	



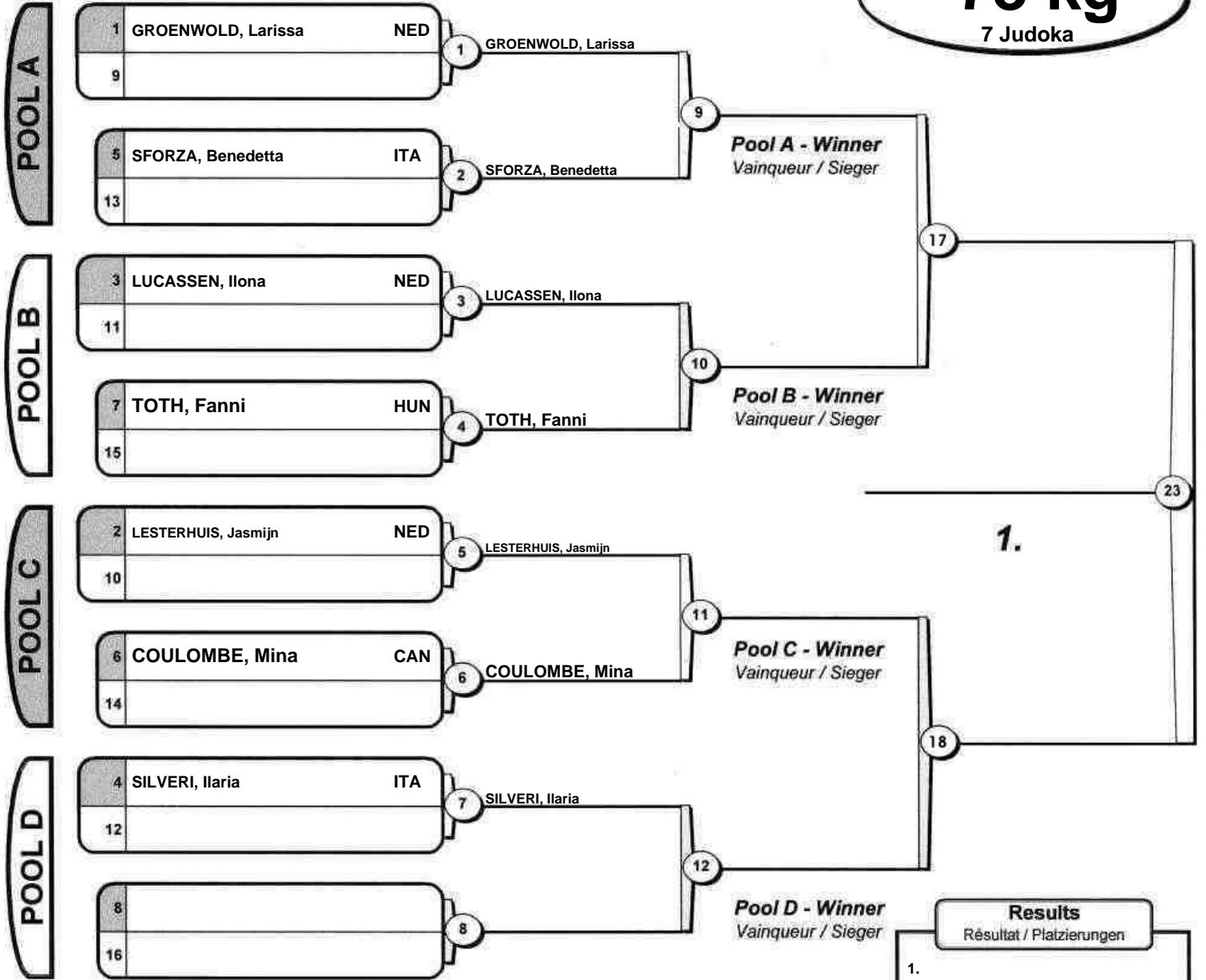


# Junior European Judo Cup Paks 2015

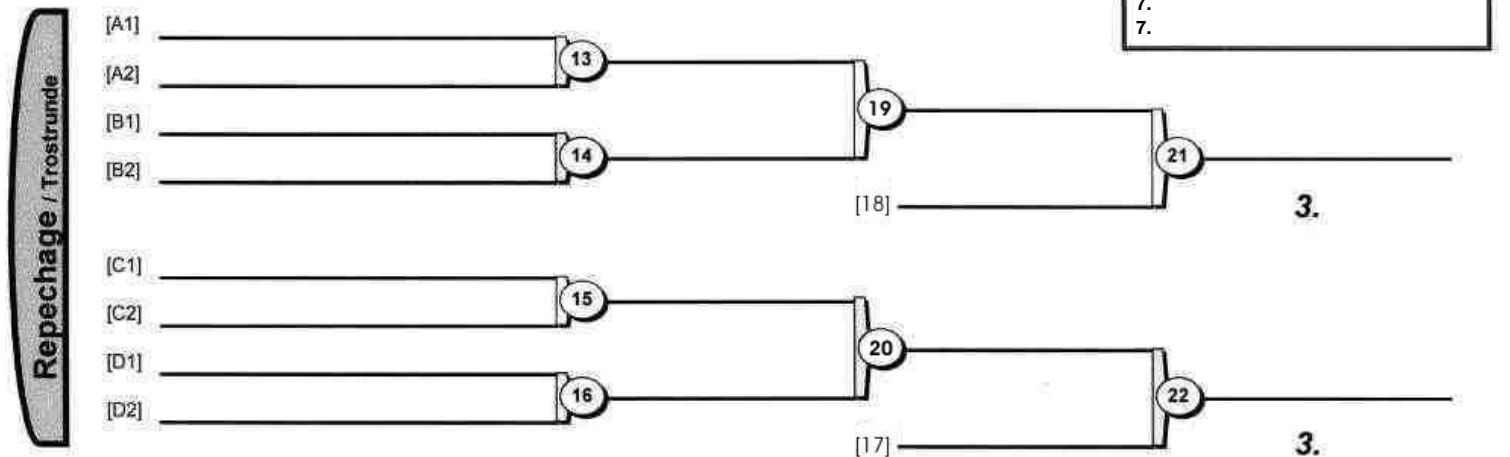
Paks (HUN) 11-12 July 2015

## -78 kg

7 Judoka



Results	
Résultat / Platzierungen	
1.	
2.	
3.	
3.	
5.	
5.	
7.	
7.	



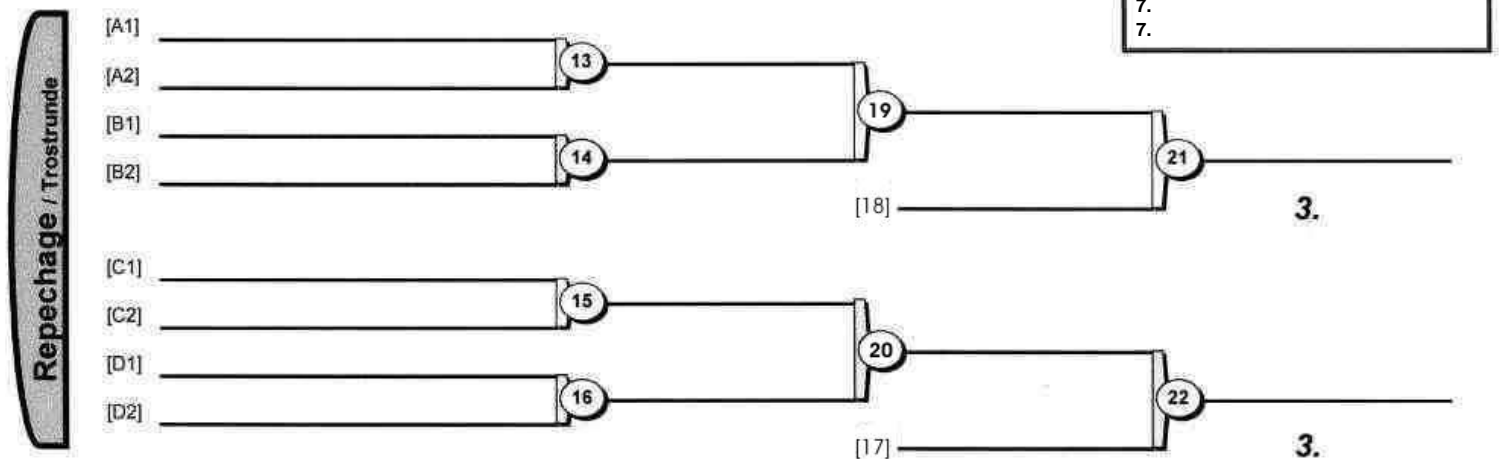
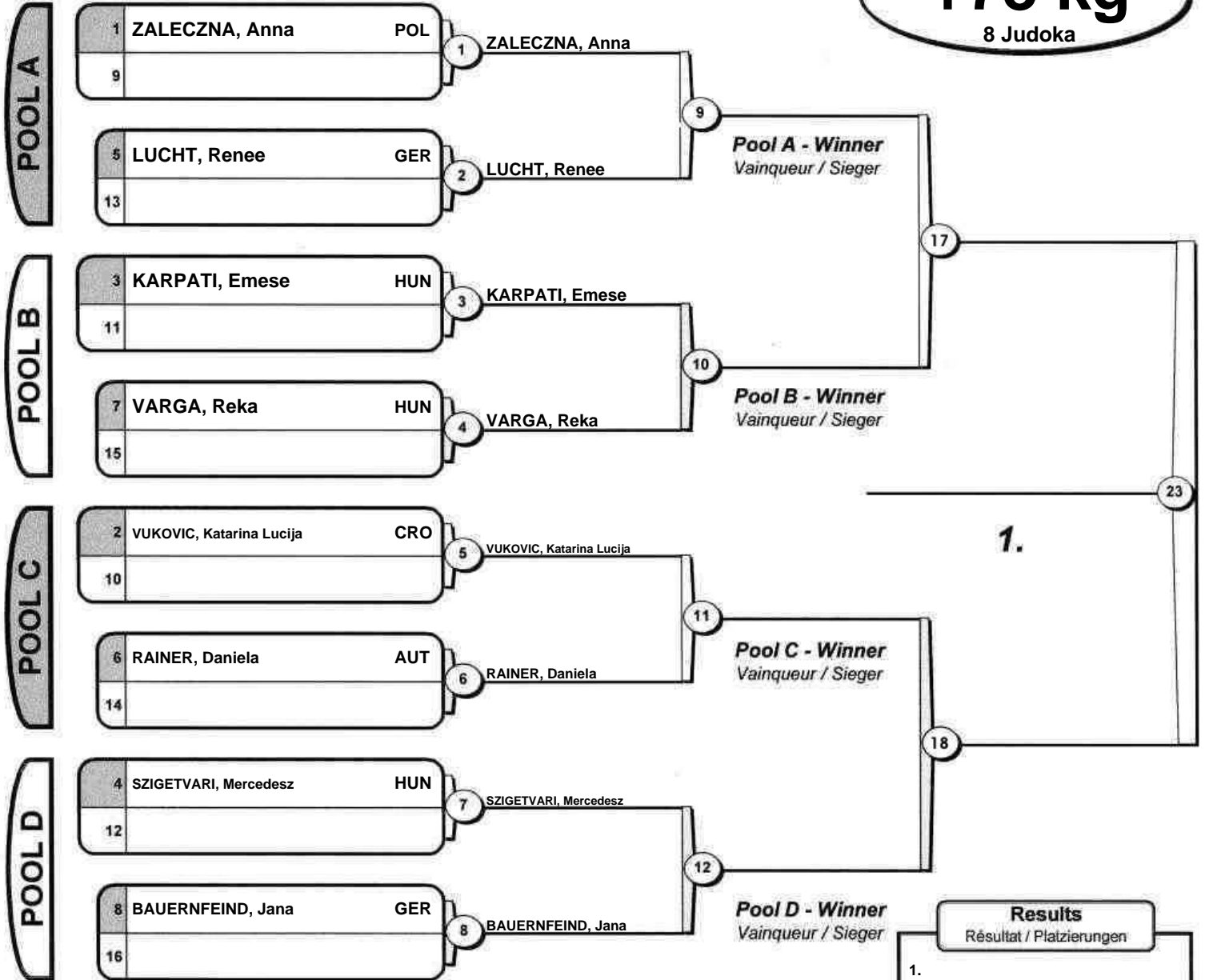


# Junior European Judo Cup Paks 2015

Paks (HUN) 11-12 July 2015

## +78 kg

8 Judoka



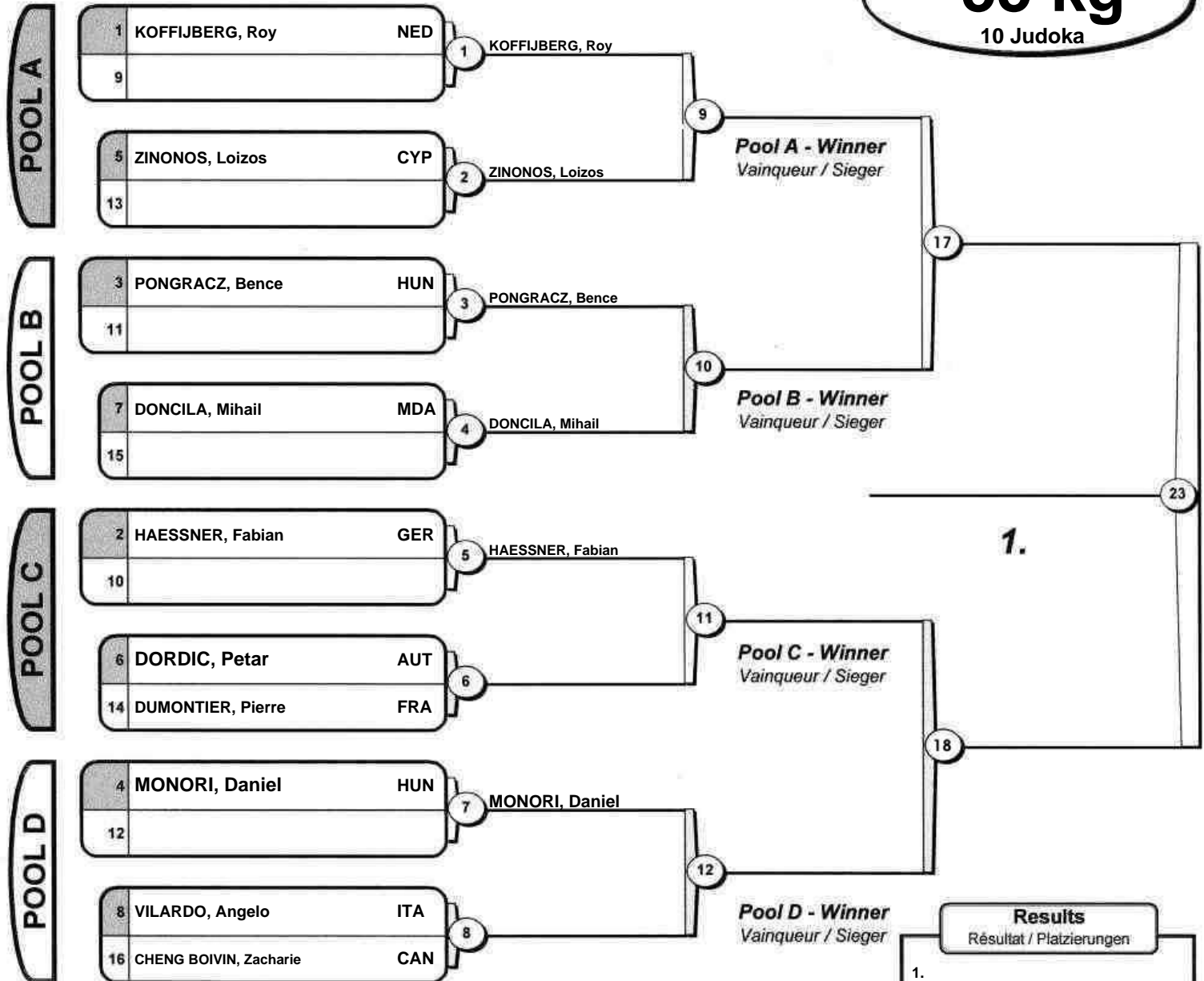


# Junior European Judo Cup Paks 2015

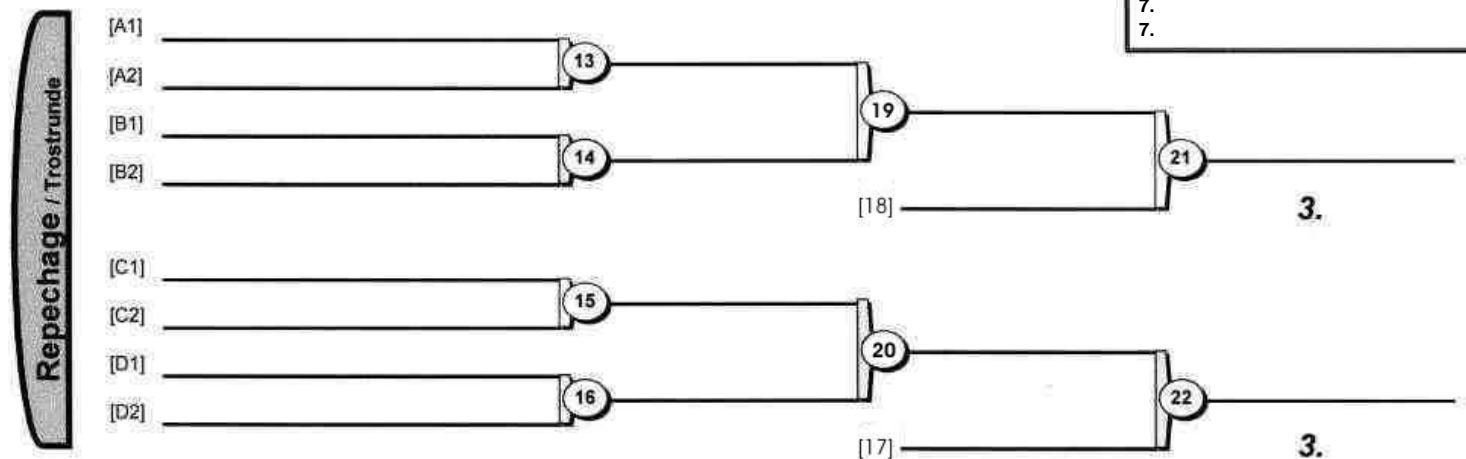
Paks (HUN) 11-12 July 2015

## -55 kg

10 Judoka



Results	
Résultat / Platzierungen	
1.	
2.	
3.	
3.	
5.	
5.	
7.	
7.	



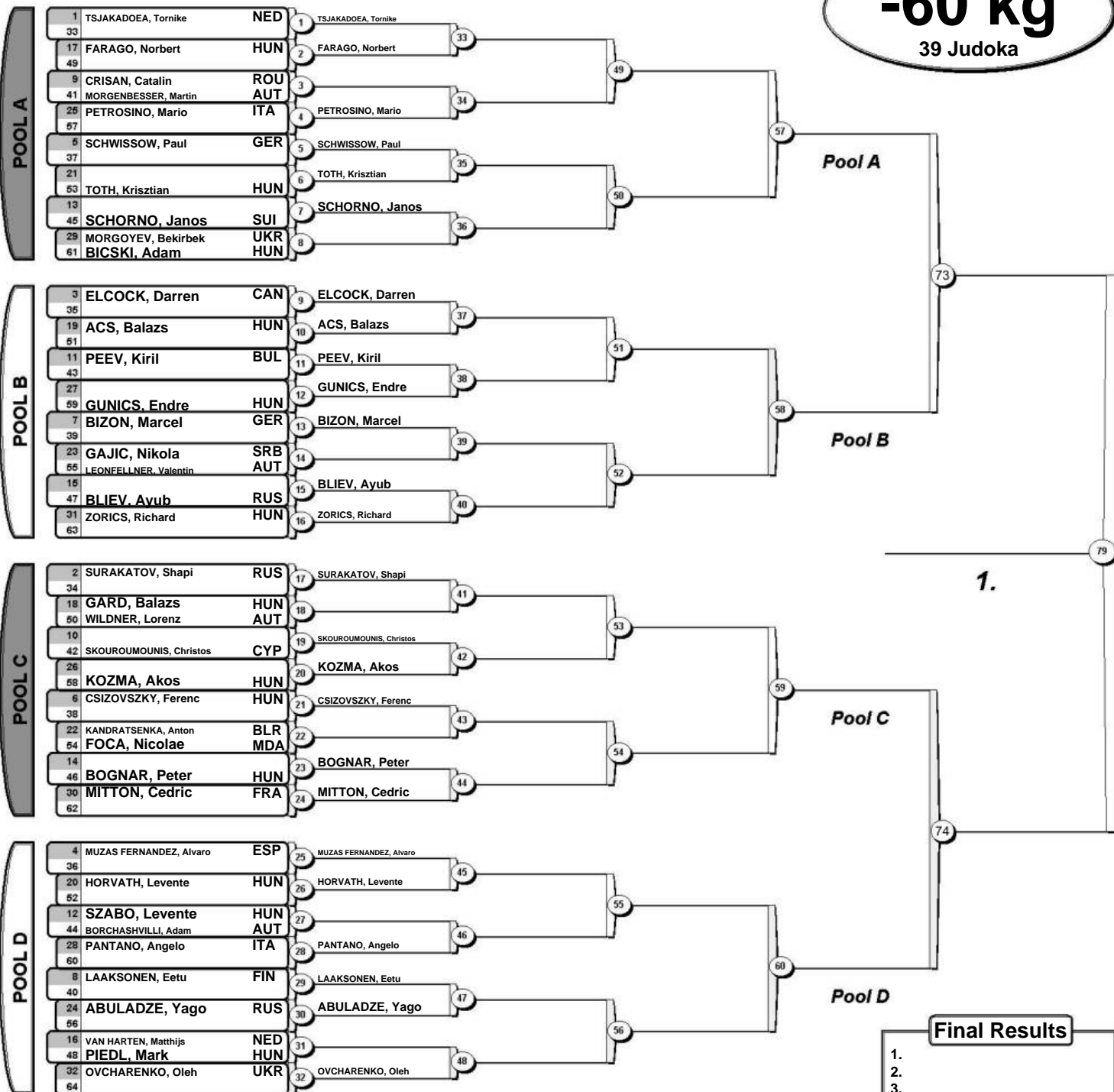


# Junior European Judo Cup Paks 2015

Paks (HUN) 11-12 July 2015

## -60 kg

39 Judoka

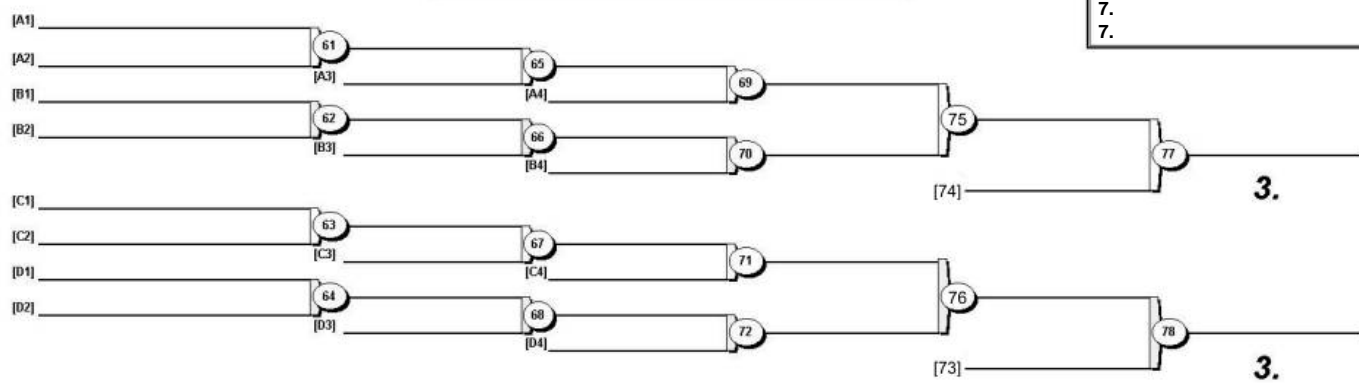


1.

### Final Results

- 1.
- 2.
- 3.
- 5.
- 5.
- 7.
- 7.

### Repechage



3.

3.

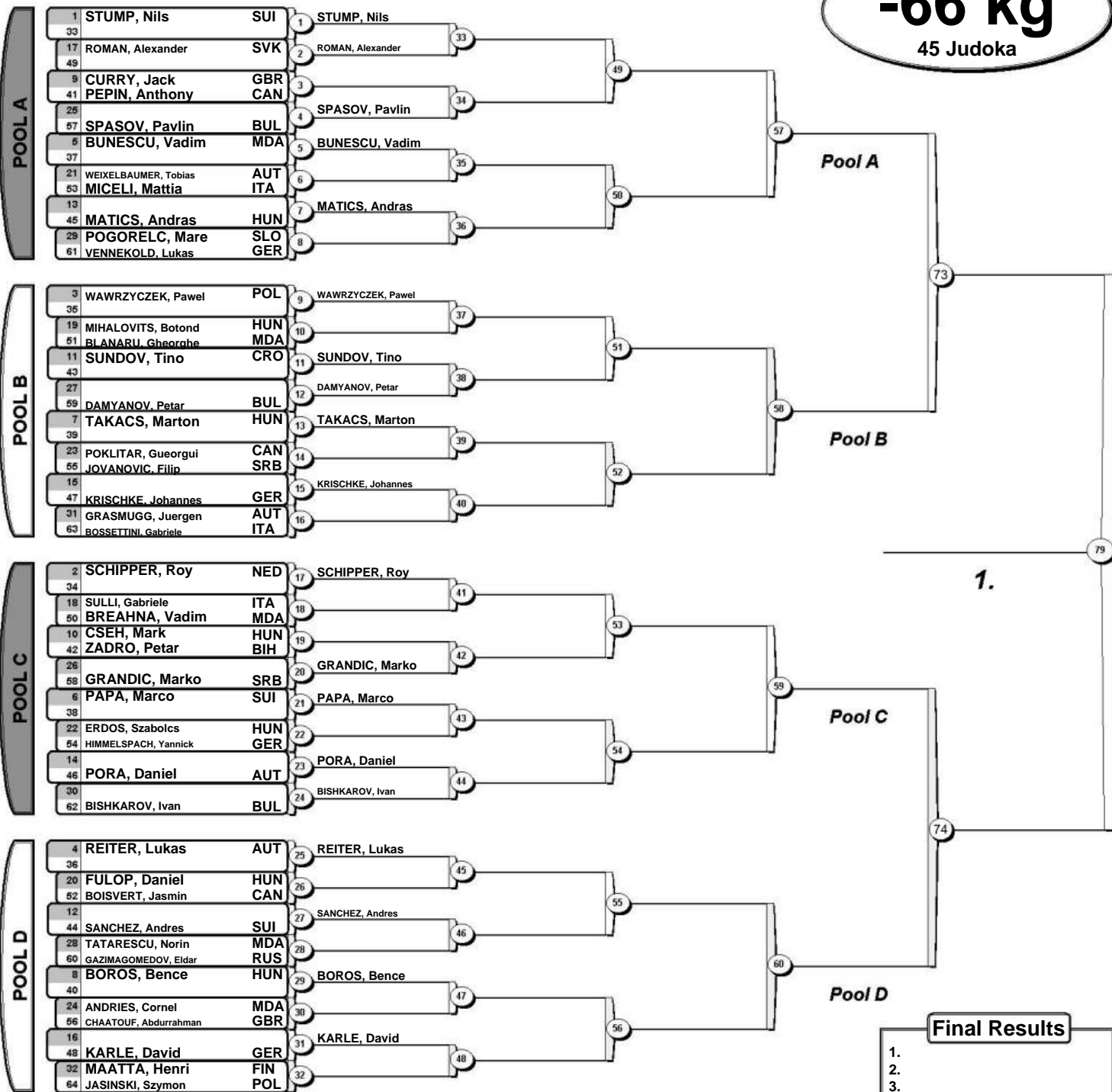


# Junior European Judo Cup Paks 2015

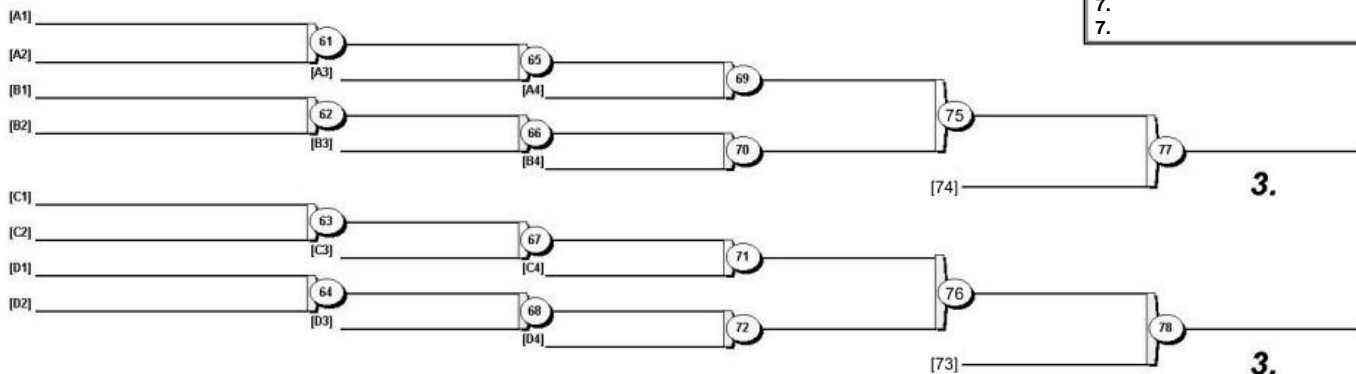
Paks (HUN) 11-12 July 2015

## -66 kg

45 Judoka



### Repechage



### Final Results

- 1.
- 2.
- 3.
- 5.
- 5.
- 7.
- 7.

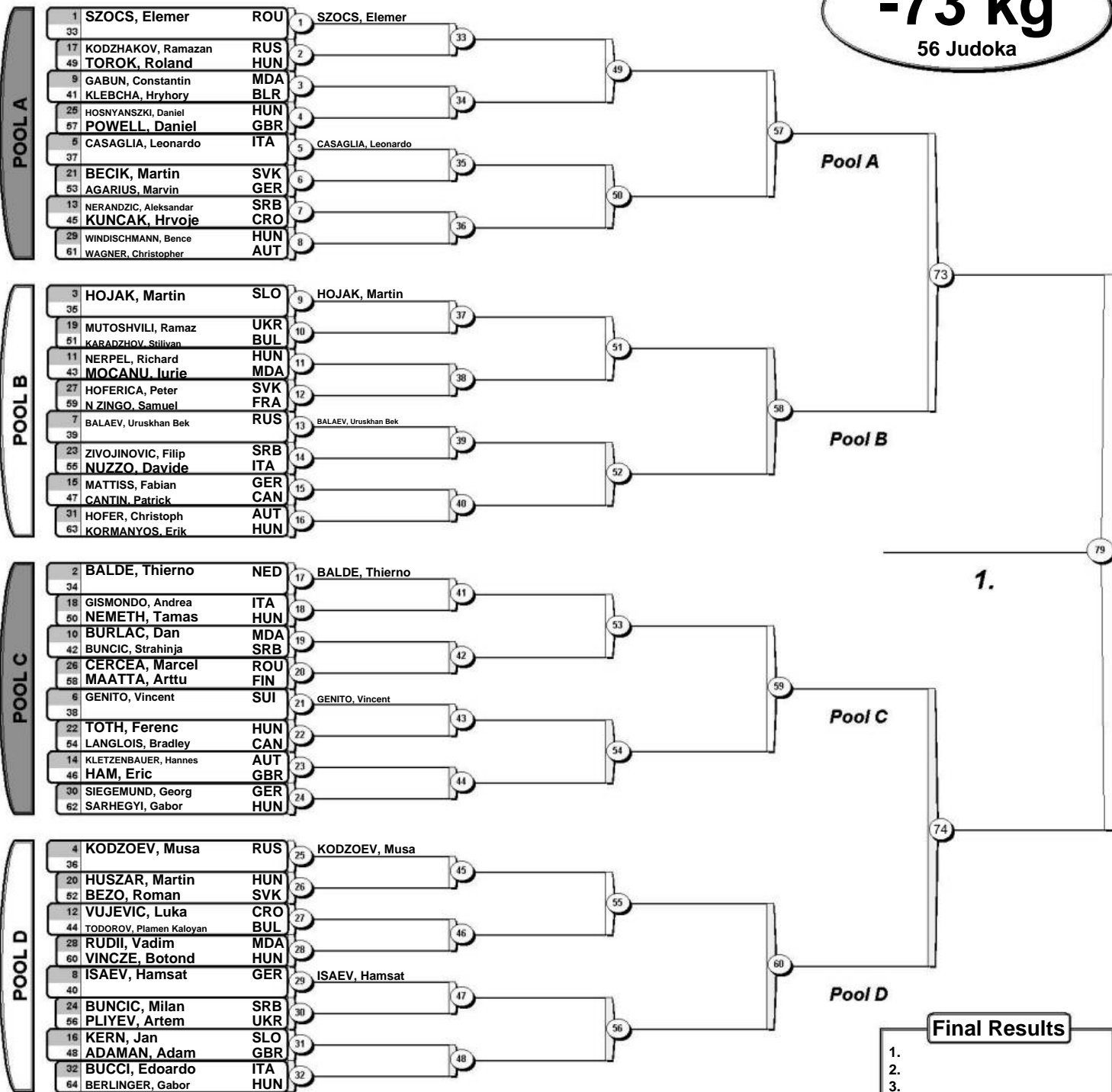


# Junior European Judo Cup Paks 2015

Paks (HUN) 11-12 July 2015

## -73 kg

56 Judoka



## Repechage

